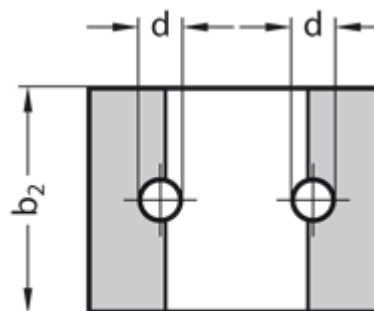
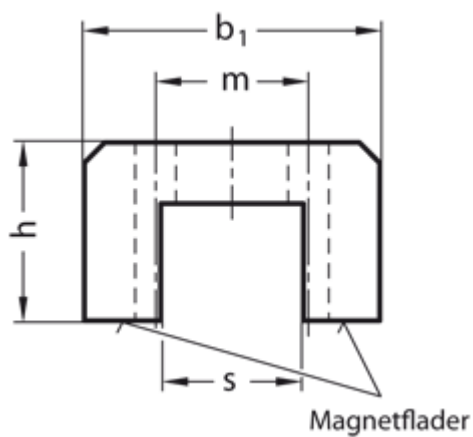


Article number: 201247047C

Description: E+G U-magnet GN 62-AN-79
Alu, Nickel, Cobalt - 280° C, 470N

Measures



b_1	= 79
b_2	= 82.0
d_3	= 9,5 - max. dia. screw head
h	= 54.0
Holding force N	= 470
m	= 43.0
Material	= AN Alu, Nikkel, Kobolt - 280° C
s	= 38.5